



EQUIPMENT TECHNOLOGIES, INC.

Dry Film Auto Cutting Laminator

Fcm 30



Centering device/ Thin panel device



- > With BEST patent technology, centering device is controlled by servo motor, operation is easy with Man Machine Interface (MMI), just input size of panel for precise centering, accuracy is 0.01mm, effectively improving the stability of front and rear copper spacing and film-running.
- > The ultra-thin panel centering device ensures smooth feeding for panel Min.0.06 mm thickness.



Vacuum cavity

Modular dry film unit



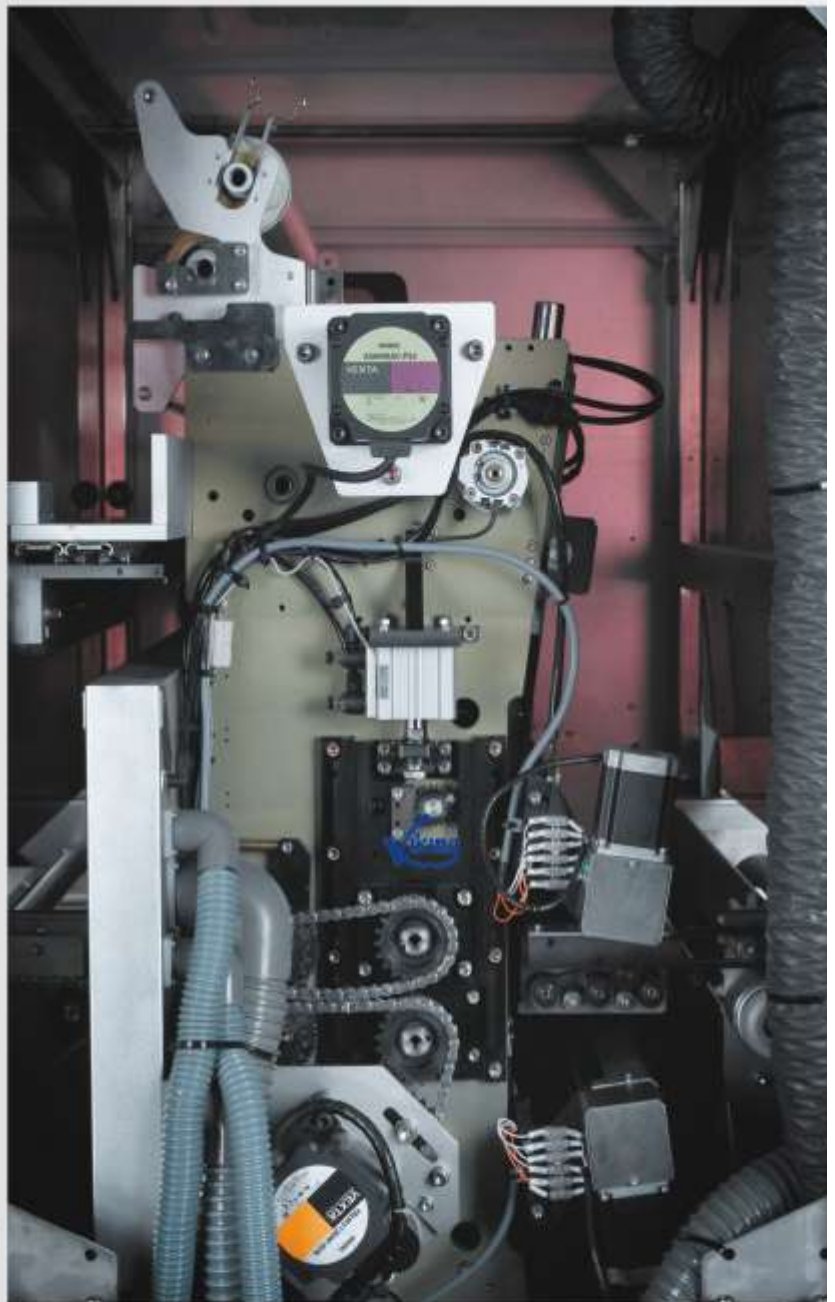
The five-stage vacuum manifold is divided vacuum suction zone for different width of panels , making dry film guiding and feeding smoothly and reducing dry film wrinkle.

Modular dry film unit can save as much as 90% of time of changing films compare with traditional type.

Cutting system

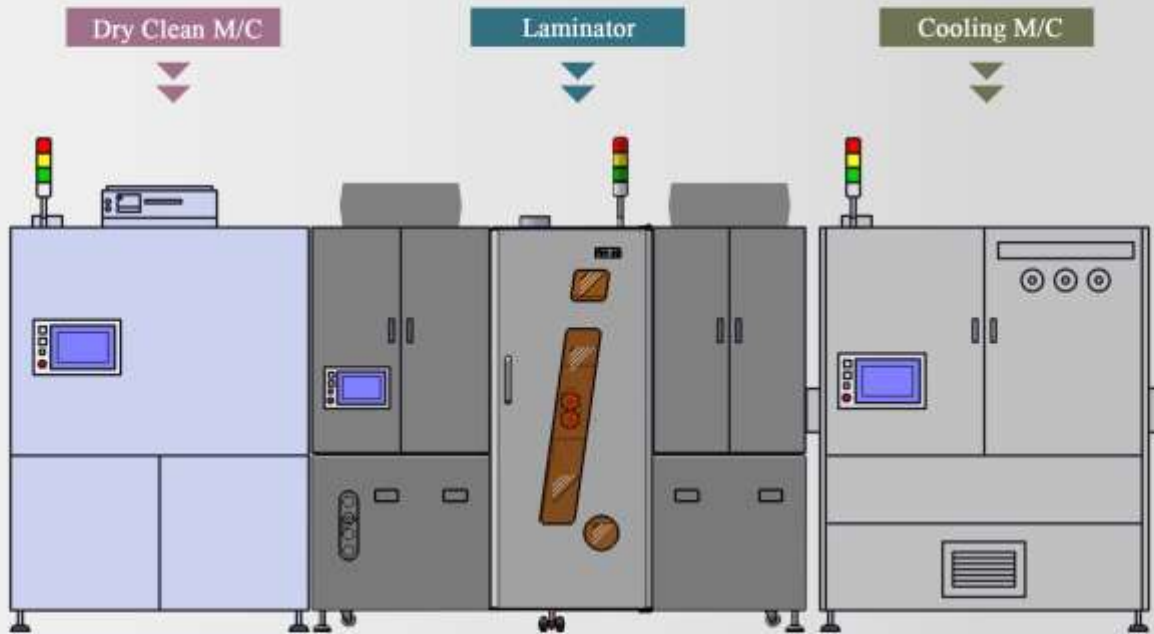


Belt-drive rotary cutter driven by new design step motor which is lightweight, less vibration and noise, cutter goes well with the linear movement from side to side of precision ball spline, resolving the problem of dry film chips produced in the process of cutting film and improving production yield.



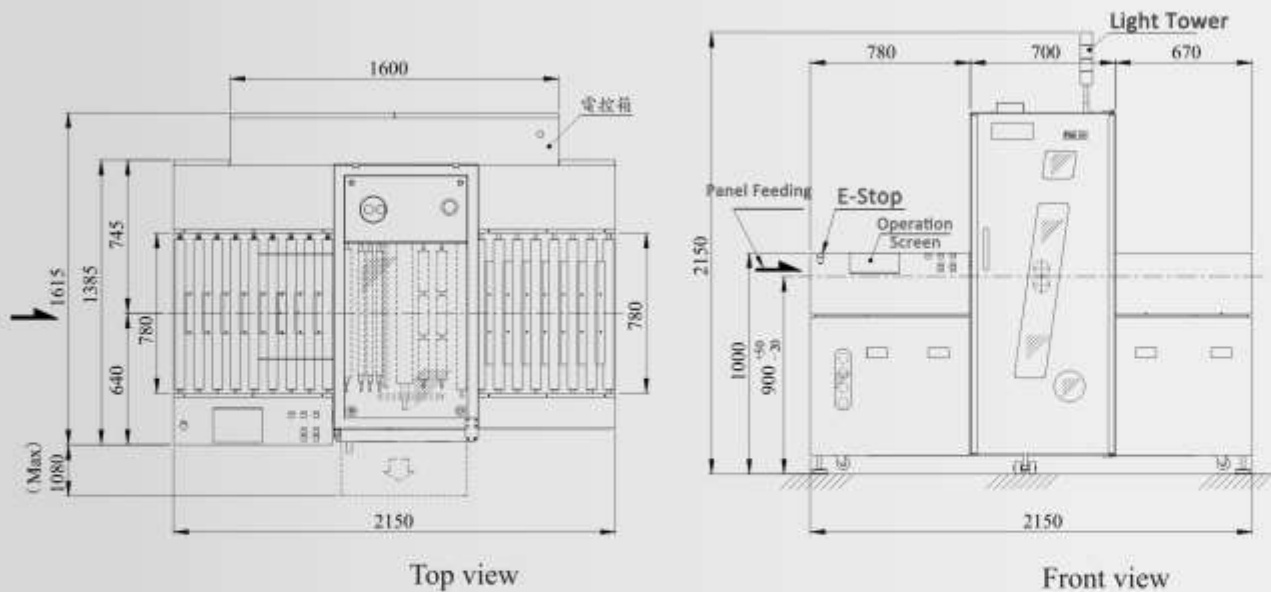
Vertical steel retaining plate is selecting imported casting aluminum alloy and special heat treatment required to enhance much rigidity and not easy to deform. The open-close of lamination unit adopts Oriental Motor high-precision brushless motor instead of traditional clutch brake structure, to further ensure the synchronism of the open-close of the lamination unit.

Non-contact lamination system



For Integrated solutions of HDI, FC/CSP and IC substrate Hi-end laminating process.

Other optional equipment of laminator, please refer to the attached sheet



Specifications

Machine dimensions	2150(L)×1615(W)×2150(H)mm
Laminating temperature	60-120°C Adjustable
Panel size	MIN. 250mm(W)×250mm(L) MAX. 640mm(W)×640mm(L)
Panel thickness	0.1-6.0mm(0.06-2.0mm)
Conveyor speed	1.0-5.5m/min Adjustable
F&R Copper spacing	±1.0mm
Laminating roll	3-Steps Heating Φ68 , Silicon 70°C 3 line heater, Φ68
Dry film cutter	patented annular cutting blade
Dry film width	250-630mm(W)
Compressed air supply	5-7 Kg
Power	3-Phase 200/220V, 50/60Hz 10Kw
Net weight	1200 Kg